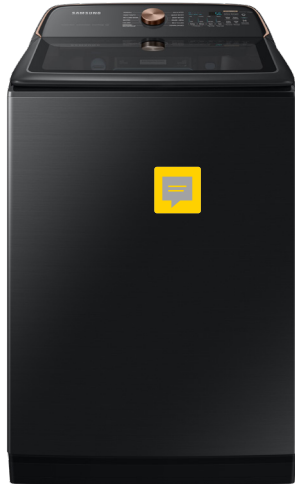


WA53CG7155

SAMSUNG

Samsung 6.1 cu. ft. Smart Top Load Washer with Pet Care Solution and Super Speed Wash



Agitator



Pet Care Solution

Available Colour



Navy Steel
WA54CG7150AD

Features

- Pet Care Solution
- Extra-Large Capacity 6.1 cu. ft.
- Wi-Fi Connectivity with SmartThings*
- Super Speed Wash
- Active WaterJet
- 20-Year Motor Warranty
- Deep Fill
- Vibration Reduction Technology+
- Swirl+ Tub Interior
- Self Clean
- Soft-Close Lid
- ENERGY STAR® Certified
- Smart Care
- Accessibility (AUI, Braille)
- 750 RPM Maximum Spin Speed
- Digital Inverter Motor
- 17 Total Washing Cycles
- 10 Additional Washing Options

Convenience

- Child Lock
- Dispenser Trays:
Main Wash, Softener, Bleach

Ratings



ENERGY STAR® Rated:
120 kWh/yr

Electrical Requirements

- 120 V / 60 Hz
15 Amps

Specifications

12 Preset Washing Cycles:

Normal, Bedding/Waterproof, Heavy Duty, Colours, Whites, Delicates, Quick Wash, Self Clean, Rinse + Spin, Deep Wash, Pet Care Wash, Downloaded.

5 Downloadable Washing Cycles:

Permanent Press, Wool, Eco Cold, Denim, Power Rinse.

10 Additional Washing Options:

Delay End, Presoak, Sound Off, Child Lock, Fabric Softener, Deep Fill, Super Speed, Smart Care, Smart Control, Spin Only.

5 Temperature Settings:

Hot, Warmer, Warm, Cool, Cold.

5 Spin Settings:

High, Medium High, Medium, Low, No Spin.

5 Soil Settings:

Heavy, Heavy Medium, Normal, Low Medium, Light.

Warranty

One (1) Year Parts and Labour.
Twenty (20) Years; Washing DIT (Digital Inverter Motor) Motor Part (Part Only)

Product Dimensions & Weight (WxHxD)

Dimensions: 27⁹/₁₆" x 45¹³/₁₆" x 29⁷/₁₆"
Weight: 134.5 lb (61 kg)

Shipping Dimensions & Weight (WxHxD)

Dimensions: 30¹/₈" x 47¹¹/₁₆" x 31¹/₄"
Weight: 143.3 lb (65 kg)

Agitator Washer

Navy Steel	WA53CG7155AD	887876760353
------------	--------------	--------------

Matching Electric Dryer

Navy Steel	DVE54CG7155D	887276759913
------------	--------------	--------------

* Requires wireless network, Samsung account and Samsung SmartThings App. The Samsung SmartThings App supports Android OS 4.0 (ICS) or later which is optimized for Samsung smartphones (Galaxy S and Galaxy Note series). This app also supports iOS 7 or later for iPhone models. Samsung SmartThings App available in App Store and Play Store.

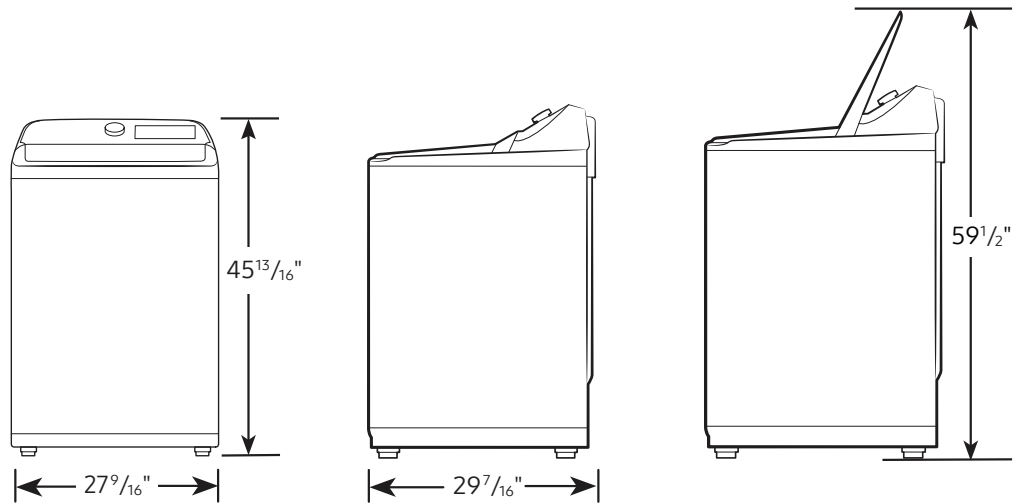
WA53CG7155

SAMSUNG

Samsung 6.1 cu. ft. Smart Top Load Washer with Pet Care Solution and Super Speed Wash

Dimensions

Required dimensions for installation:

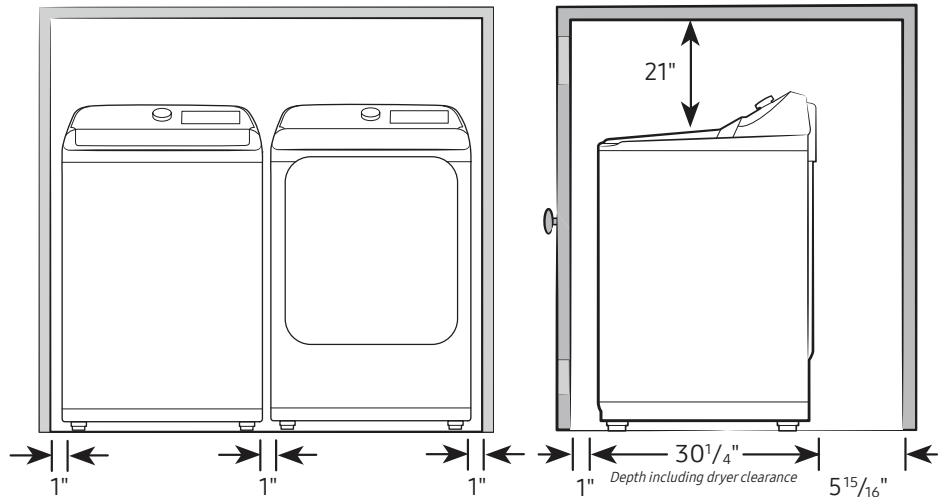


Installation Specifications – Side-by-Side

If the washer and dryer are installed together or the dryer alone, the closet front must have two unobstructed air openings for a combined minimum total area of 72-inch². Your washer alone does not require a specific air opening.

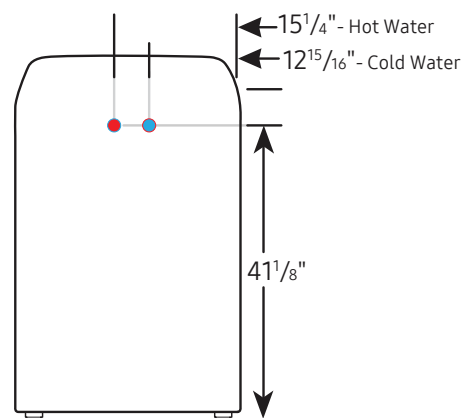
Alcove or closet installation

Minimum clearance for closet and alcove installations:



Connection Dimensions

Back view of washer



LEGEND:

- Hot Water Connection
- Cold Water Connection

Actual colour may vary. Design, specifications and colour availability are subject to change without notice. Non-metric weights and measurements are approximate.

© 2023 Samsung Electronics Canada Inc. All rights reserved. Samsung is a registered trademark of Samsung Electronics Co., Ltd., used with permission.