

# DW90F89TOUSRAA

SAMSUNG

## 38 dBA Smart Dishwasher with 3rd Rack Washing System



### Signature Features

#### Intelligently Thorough

Clean dishes thoroughly\* and efficiently. AI Wash uses a new high-resolution turbidity sensor and machine learning algorithm. It intelligently adjusts the washing and rinsing cycles to clean dishes and remove even stubborn leftover food and sticky residue effectively without pre-rinsing.

#### Upgraded 3rd Rack Washing System

Clean cutlery, utensils and drinkware easily, effectively and space efficiently. An extra-large 3rd Rack at the top provides a dedicated area to place cutlery and a detachable tray means it can also be used for large cooking utensils. In addition, there is an area to put various drinkware, including up to six 6" and six 4" cups, which has six spinning nozzles that remove residue thoroughly. It allows items to be loaded and unloaded quickly and efficiently and frees up space in the other racks\*.

#### Extra Quiet (38dBA)

Avoid creating a disturbance at home with an ultra-quiet dishwasher. A frictionless BLDC motor reduces noise significantly and its insulation technology and stainless steel tub absorb much of the sound and vibration. At just 38 decibels\* it has one of the lowest noise levels in the industry.

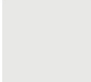
#### Smart Heat Dry with Auto Release

Dry dishes effectively\* every time with heated air enabled Smart Dry with AutoRelease™. It absorbs moisture and circulates high temperature air. It also intelligently adjusts the drying temperature and time to avoid wasting energy. And, when cycles end, the door opens for faster, better drying.

### Available Colours:

 **Fingerprint Resistant  
Stainless Steel**  
DW90F89TOUSRAA

 **Fingerprint Resistant  
Matt Black Steel**  
DW90F89TOUMTAA

 **White Glass**  
DW90F89TOU12AA



Upgraded 3rd Rack Washing System



Extra Quiet (38dBA)

### Features

- 3rd Rack Washing System
- Whisper Quiet 38 dBA Noise Level
- StormWash+™ System
- Smart Dry with AutoRelease™ Door
- AI Wash
- 2.25" LCD User Interface
- ENERGY STAR® Most Efficient
- Stainless Steel Interior Tub
- Fingerprint Resistant Stainless Finish

### Convenience

- Wi-Fi Connectivity with SmartThings App
- Smooth Glide Rails
- Cookware Flex Rack
- Digital Leak Sensor
- Stemware Zone
- Silverware Basket
- 16 Place Settings
- 3-Step Height Adjuster
- Adjustable Times

### Rating



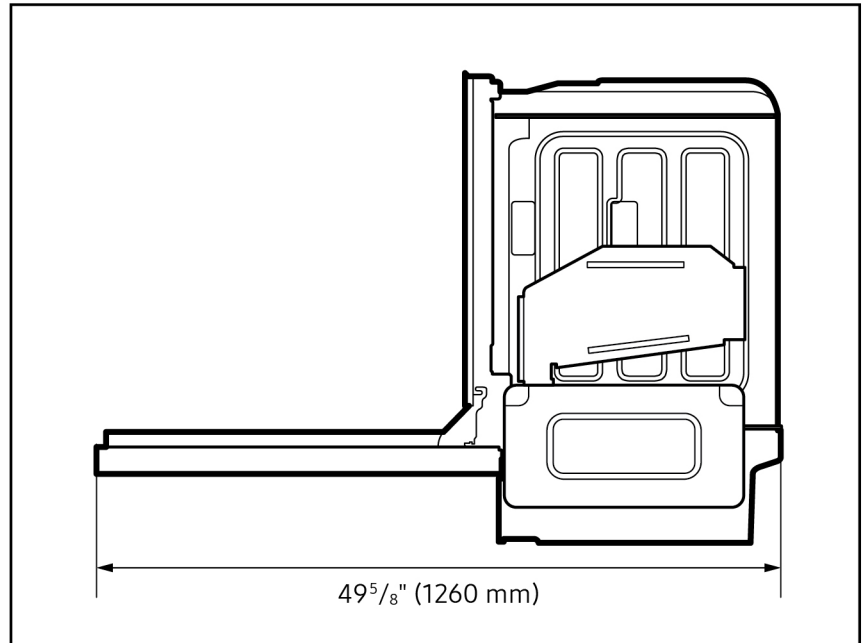
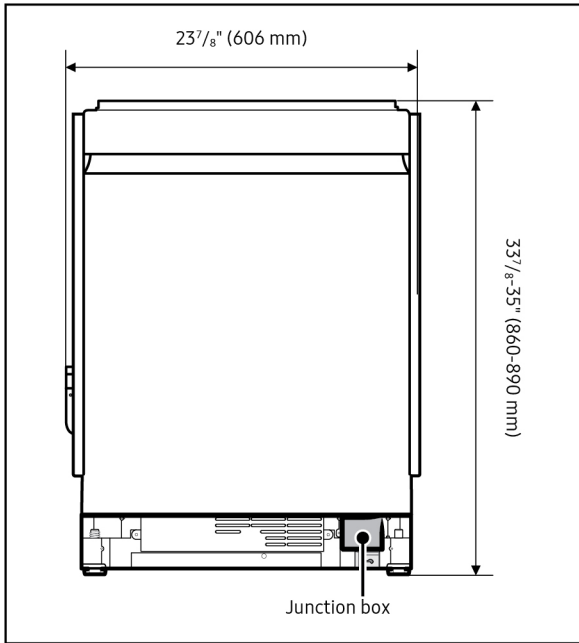
- ENERGY STAR® 7.0 Certified  
225 kWh/yr

# DW90F89TOUSRAA

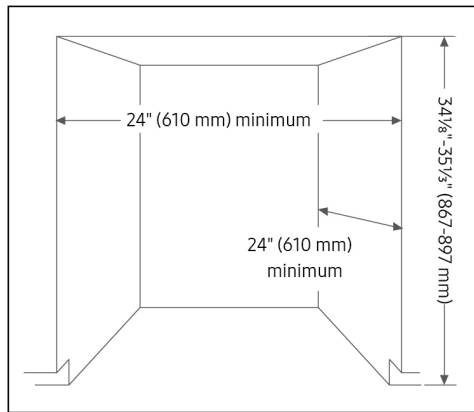
**SAMSUNG**

## 38 dBA Smart Dishwasher with 3rd Rack Washing System

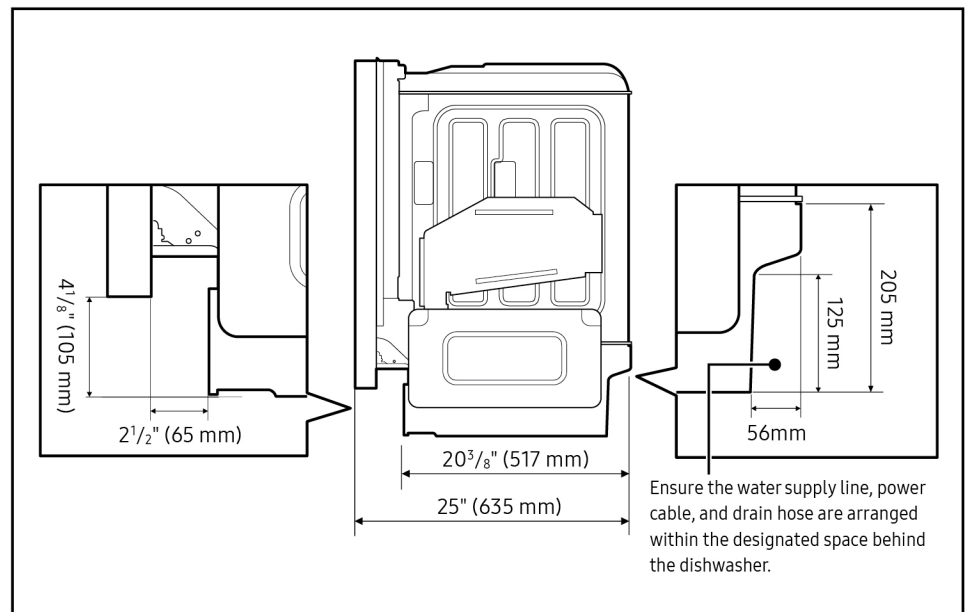
### Dimensions and Installation Diagrams



### Cabinet Dimensions



This dishwasher is designed to be enclosed on the top and on both sides by a standard residential kitchen cabinet unit. The installation cabinet must be clean and free of any obstructions. The cabinet must be at least 24 inches wide, 24 inches deep, and 34 1/8 inches high. For the front door of the dishwasher to be top, the counter top must be at least flush with the leading edge of the counter 25 inches deep.



### Additional Specifications

AI Wash, Normal, Delicate, Pre Blast, Heavy, Pots & Pans, Express 60', Self Clean, Baby Care, Plastic

### 7 Options:

StormWash+™, Smart Dry, Sanitize, Child Lock, Smart Control, Auto Door Open, Optimal Scheduling

### Warranty

One (1) Year Parts and Labor  
Five (5) Years, Printed Circuit Board, Racking and Stainless Steel Door Liner & Tub for Leakage (Parts Only)

### Product Dimensions & Weight (WxHxD)

Dimensions: 25.87" x 34.84" x 29.72"  
Weight: 101.4 lb (46 Kg)

### Shipping Dimensions & Weight (WxHxD)

Dimensions: 26" x 34 7/8" x 29 3/4"  
Weight: 94.8 lbs

### Colour

Stainless steel  
Matt Black Steel  
White Glass

### Model #

DW90F89TOUSRAA  
DW90F89TOUMTAA  
DW90F89TOU12AA

### UPC Code

887276931487  
887276990309  
887276931463